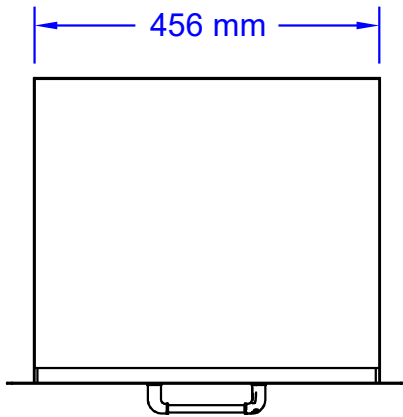


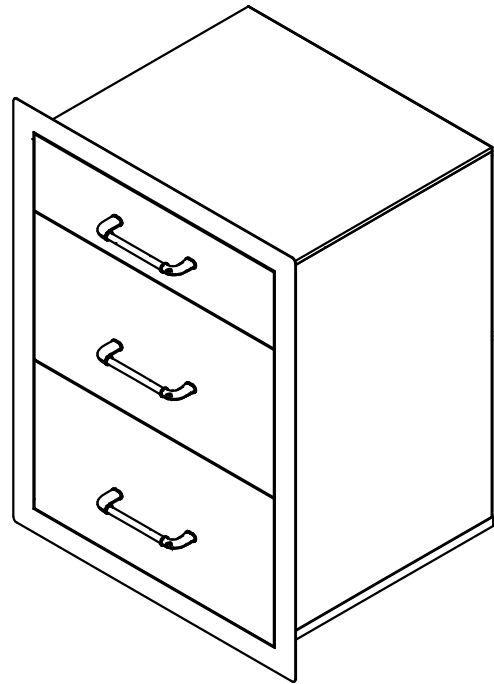
**BULL**  
EUROPE



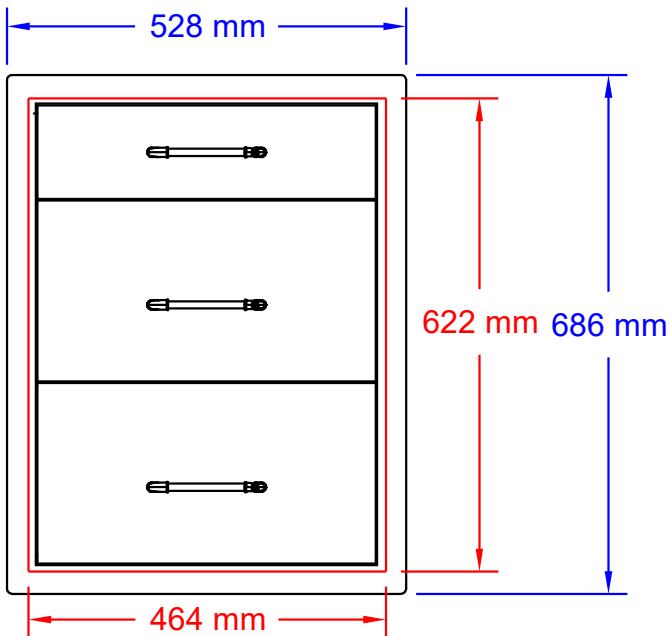
**ITEMS: #58110**  
**TRIPLE DRAWER**



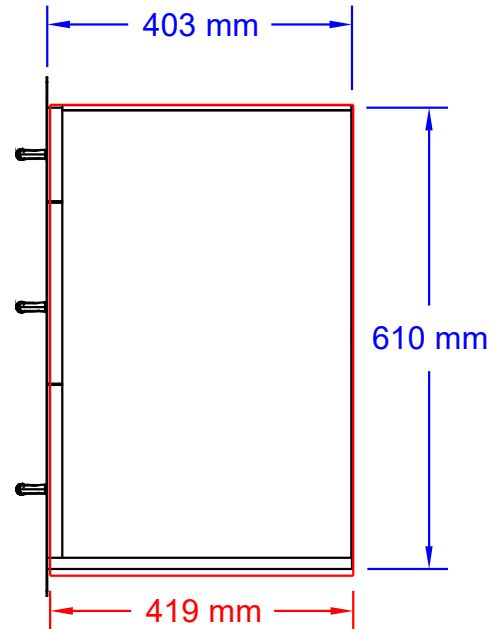
Top View



Isometric View



Front View



Side View

SPEC SHEET NOTE:

1. CUTOUT DIMENSIONS : 464L X 419D X 622H
3. SCALE: 1 : 10 ( Printer page scaling none, do not use fit to printable area option)
4. REVISION: 06/07/2021